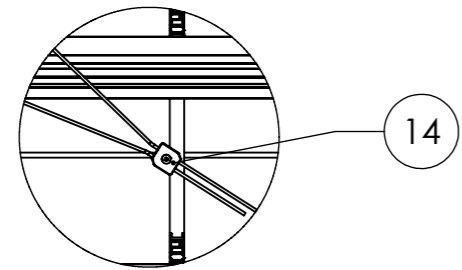
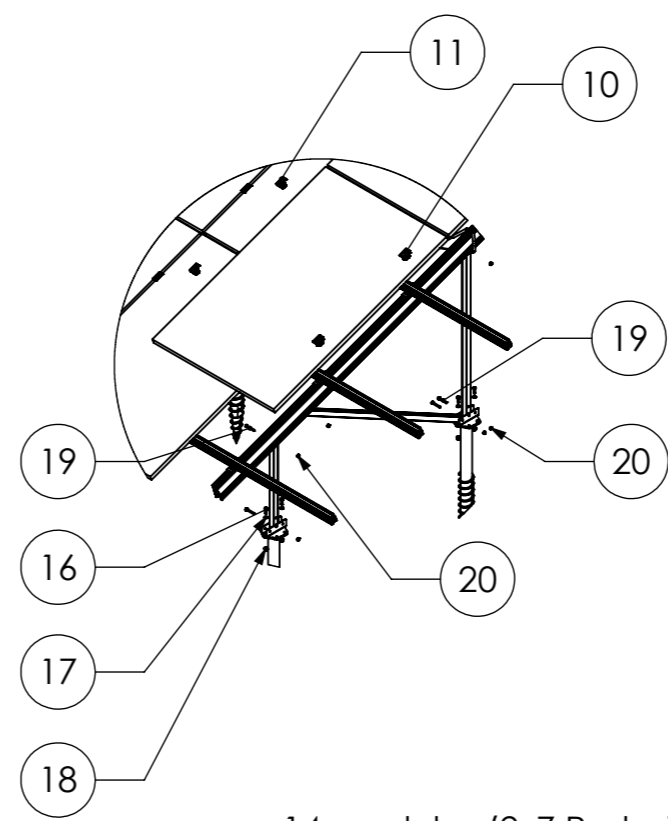


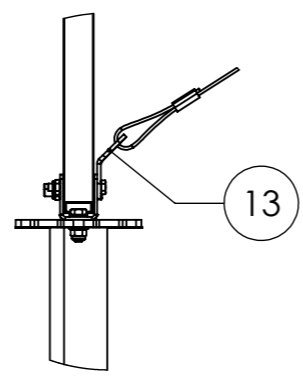
Detail W
1:10



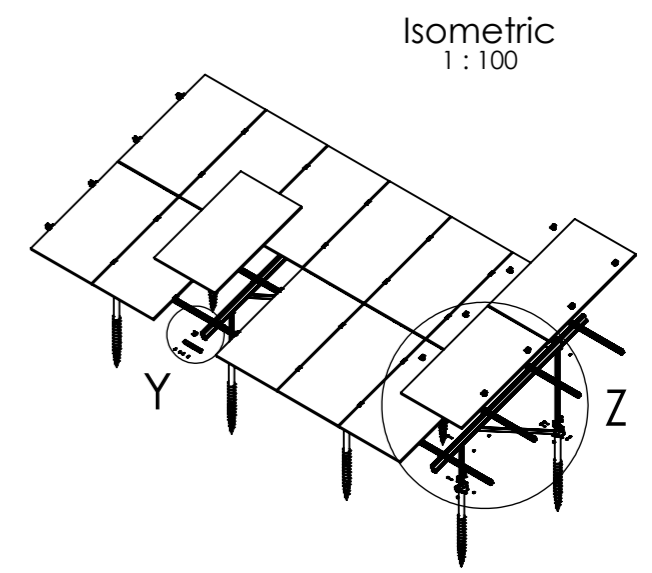
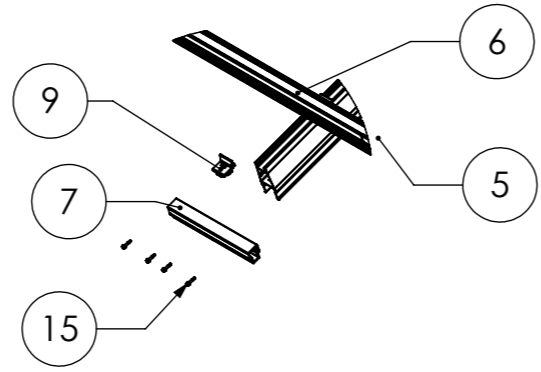
Detail Z
1:50



Detail V
1:10



Detail Y
1:20



Isometric
1:100

Pos.No.	Designation
1	Beam N-Rack 3020
2	3-Hole Brace N-Rack 715
3	3-Hole Brace N-Rack 1370
4	2-Hole Brace N-Rack 1696
5	CrossRail 73 - 5 m
6	CrossRail 73 - 3,3 m
7	CrossRail 73 Connector
8	N-Rack GS Foot
9	Climber 36/50 Set
10	EC Clamp Set
11	MC Clamp Set
12	Gripple Bracing
13	Gripple Angle
14	Gripple Lock
15	Self-tapping screw 5,5 x 25 - A2
16	Hexagon head bolt - ISO 4017 - M8x35 - A2-70
17	Plain washer - ISO 7089 - 12 - A2-50
18	Hexagon nut with flange and clamping part - EN 1663 - M12 - A2-70
19	Hexagon head bolt - ISO 4014 - M10x70-A2-70
20	Hexagon nut with clamping piece - ISO 10511 - M10 - A2-70

14 modules (2x7 Portrait)
for module width ≤ 1155 mm

12 modules (2x6 Portrait)
for module width 1155-1303 mm

Peak velocity $q_p[z]$: 0.67kN/m²
Ground snow load S_k : 1.75kN/m²



K2 Systems GmbH
Haldenstr. 1
71272 Renningen
Germany
+49 7159 42059-0

Designation: Data sheet
N-Rack 2.20 Groundscrew 2x7 S

Name	Date	Material:	Item no.:	A3
Designed C. Erb	15.12.2025	-	---	
Approved L. Kreemke	16.03.2026	Surface: -	Drawing no.: --	All dimensions in mm
Last change		Weight: -	Scale: 1:50	Sheet 1 of 1

This drawing is the sole property of K2 Systems GmbH. It is protected by copyright and may only be copied, reproduced or distributed to a third party with explicit permission!